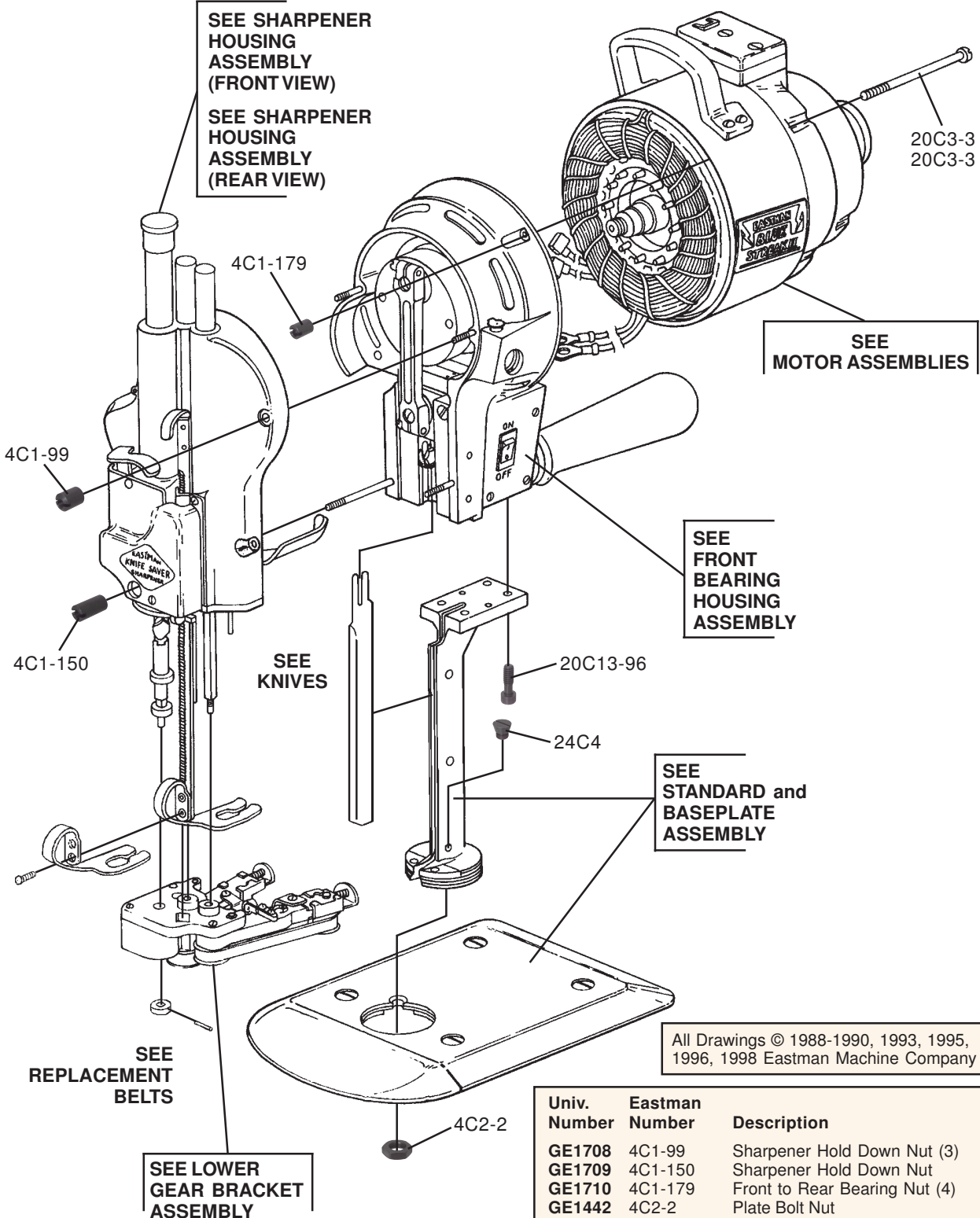


# "Genuine" Parts For Eastman Straight Knives

Cutting Machines

## Model 627X BRUTE Model 629X BLUE STREAK II



All Drawings © 1988-1990, 1993, 1995, 1996, 1998 Eastman Machine Company

Univ. Number	Eastman Number	Description
GE1708	4C1-99	Sharpener Hold Down Nut (3)
GE1709	4C1-150	Sharpener Hold Down Nut
GE1710	4C1-179	Front to Rear Bearing Nut (4)
GE1442	4C2-2	Plate Bolt Nut
	20C3-38 **	Front to Rear Bearing Screw (4)
	20C3-39 *	Front to Rear Bearing Screw (4)
GE1713	20C13-96 *	Standard to Bearing Screw (4)
GE1046	24C4	Plate Bolt

Note: Number in parenthesis indicate quantity of a part required.

\* Class 627X Only

\*\* Class 629X Only

Universal Sewing Supply

# "Genuine" Parts For Eastman Straight Knives

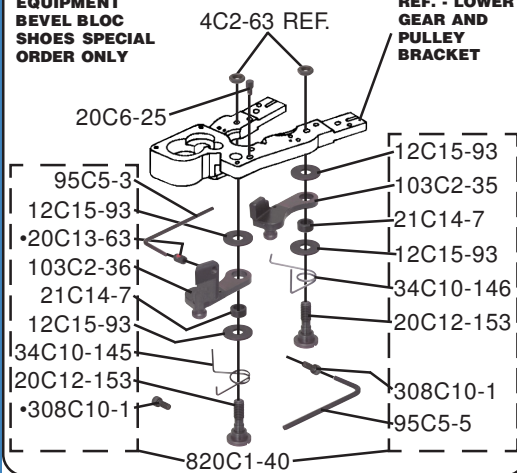
## Model 627X BRUTE Model 629X BLUE STREAK II Sharpening Assembly

### Bevel Bloc Shoe Assembly

Subassembly 743C3-1 includes:

Univ. Number	Eastman Number	Description
GE1696	20C13-63 766C1-1 308C10-1	Socket Set Screw Bevel Bloc Assembly (L.H.) Socket Set Screw (6-32 x 5/16") (2)

**OPTIONAL EQUIPMENT  
BEVEL BLOC  
SHOES SPECIAL  
ORDER ONLY**



All Drawings © 1988-1990, 1993, 1995, 1996, 1998  
Eastman Machine Company

Univ. Number	Eastman Number	Description
GE1561	4C2-63 715C1-16 715C1-18	Nut (L.H.) (2) Lower Gear Bracket (5"-10" Knife, Complete) Lwr. Gear Brkt. (11-1/2"-13" Knife, Complete)
GE1115	820C1-40	Conversion Kit (R.H. & L.H. Shoes)

**Conversion Kit includes the following:**

GE1654	12C15-93	Washer Shoe (4)
GE1495	20C6-25 *	Adjusting Screw
GE1657	20C12-153	Screw For Sharpener Shoe (2)
GE1696	20C13-63	Socket Set Screw
GE1697	21C14-7	Shoe Bushing (2)
GE1698	34C10-145	Spring Shoe (L.H.)
GE1699	34C10-146	Spring Shoe (R.H.)
	95C5-3	Allen Wrench
	95C5-5 *	Allen Wrench
GE1700	103C2-35	Sharpener Shoe (R.H.)
GE1701	103C2-36	Sharpener Shoe (L.H.)
	308C10-1 *	Socket Set Screw (6-32 x 5/16") (2)
GE1119	820C1-39	Conversion Kit (includes * parts above)

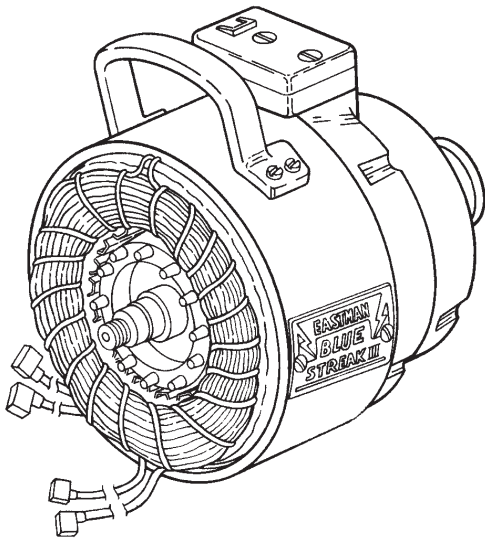
**Note:** 766C1 and 766C1-1 are sold in pairs with kits only.

**Note:** Number in parenthesis indicate quantity of a part required.

# "Genuine" Parts For Eastman Straight Knives

## Model 627X BRUTE Model 629X BLUE STREAK II

### SINGLE & THREE PHASE MOTOR ASSEMBLIES (Single & Dual Speed)



All Drawings © 1988-1990, 1993, 1995, 1996, 1998 Eastman Machine Company

Univ. Number	Eastman Number	Description
	1C4-8 ****	Cutout Sleeve
GE1349	4C1-145	Shaft Lock Nut
	4C2-87	Clutch Nut
GE1341	8C5-10 ***	Automatic Switch Insulation
	8C12-4 ***	Lead Wire Insulation (2)
GE1353	10C1-41	Rotor Fan
GE1343	12C1-12	Loading Spring Washer
	12C1-32	Lock Washer
GE1347	13C1-9	Turning Knob
GE1351	18C6-16	Retaining Ring
	22C1-24 **	Carrying Handle
	30C1-8	Dust Cap
GE1348	34C1-51	Clutch Spring
	47C4-79 ***	Terminal
	47C4-80 ***	Terminal
GE1714	53C7-35	Fan Cover
GE1356	67C1-10 ****	Cutout Mount
	73C7-121	Terminal Wire Tubing
	79C2-26 ****	Direction Arrow Plate
	90C1-146	Rear Bearing Housing
GE1582	90C6-46	Rear Ball Bearing
	199C1-23 ****	Wire Lug (3)
	254C1	Cable Tie (4")
GE1574	300C12-3 ****	Round Head Screw (8-32 x 3/8") (2)
GE2015	300C12-6	Round Head Screw (4)
GE1715	301C8-1	Fillister Head Screw (4-40 x 1/2") (3)
	301C12-3 ***	Fillister Head Screw (8-32 x 3/8") (2)
GE1350	305C8-1	Binding Head Screw (10)
	305C10-1	Binding Head Screw
	513C3-206 **	Rotor w/Shaft
	513C3-225 *	Rotor w/Shaft
	514C5-109 *&***	Stator w/Band (110V, 60Hz, 3600RPM)
	514C5-114 *&***	Stator w/Band (110V, 60Hz, 1800/3600RPM)
	514C5-127 *&***	Stator w/Band (110V, 60Hz, 3600RPM)
	514C5-129 *&***	Stator w/Band (110V, 60Hz, 1500/3000RPM)
	514C5-146 *&****	Stator w/Band (220V, 60Hz, 3600RPM)
	514C5-148 *&****	Stator w/Band (220V, 60Hz, 1800/3600RPM)
	514C5-155 *&****	Stator w/Band (220V, 60Hz, 3600RPM)
	514C5-158 *&****	Stator w/Band (220V, 60Hz, 1800/3600RPM)
GE1338	580C1-191 ***	Cutout Switch (Dual Speed)
GE1337	580C1-192 ***	Cutout Switch (Single Speed)
GE1345	597C2-14 ***	Cutout Assembly (60C, 3600RPM)
GE1716	597C2-25 ***	Cutout Assembly (60C, 1500/3000RPM)
	783C1-3	Grounding Wire Assembly

\* Class 627X Only                      \*\* Class 629X Only  
 \*\*\* One Phase Motor Assemblies Only  
 \*\*\*\* Three Phase Motor Assemblies Only

**Note:** Number in parenthesis indicate quantity of a part required.

# "Genuine" Parts For Eastman Straight Knives

**⚠ WARNING**  
 Attach ground wire to ground terminal "E" on Terminal Block.  
 Failure to ground Terminal Block may result electrocution or other serious personal injuries.

**STATOR WITH BAND  
 SINGLE-PHASE SINGLE-SPEED**  
 514C5-109 514C5-127

**STATOR WITH BAND  
 SINGLE-PHASE DUAL-SPEED**  
 514C5-114 514C5-129

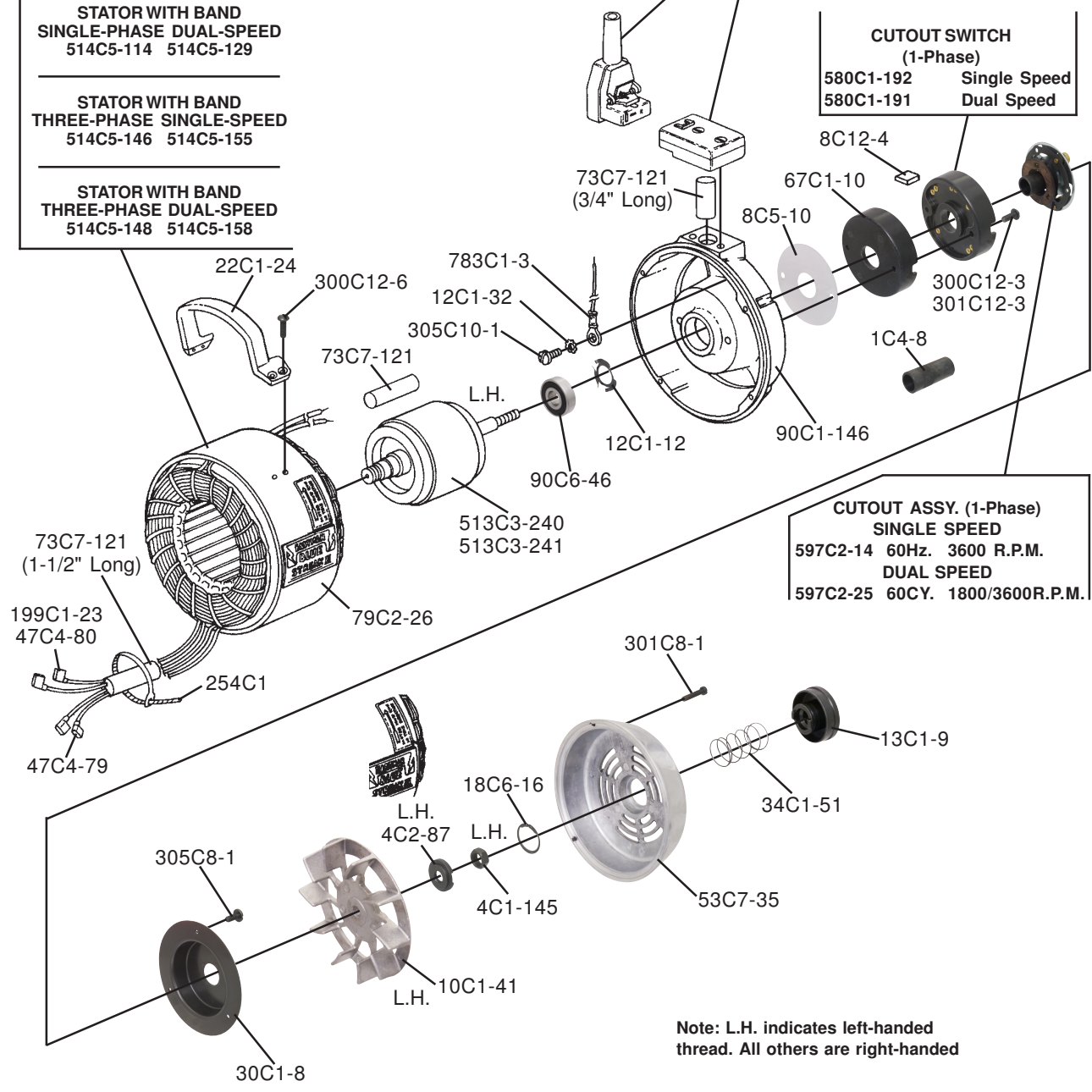
**STATOR WITH BAND  
 THREE-PHASE SINGLE-SPEED**  
 514C5-146 514C5-155

**STATOR WITH BAND  
 THREE-PHASE DUAL-SPEED**  
 514C5-148 514C5-158

**SEE ATTACHMENT  
 PLUG TERMINAL  
 BLOCK**

**CUTOUT SWITCH  
 (1-Phase)**  
 580C1-192 Single Speed  
 580C1-191 Dual Speed

**CUTOUT ASSY. (1-Phase)**  
 SINGLE SPEED  
 597C2-14 60Hz. 3600 R.P.M.  
 DUAL SPEED  
 597C2-25 60CY. 1800/3600R.P.M.

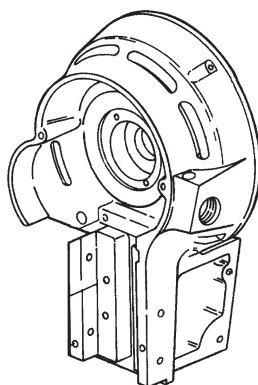


**Note: L.H. indicates left-handed thread. All others are right-handed**

All Drawings © 1988-1990, 1993, 1995, 1996, 1998 Eastman Machine Company

# "Genuine" Parts For Eastman Straight Knives

## Model 627X BRUTE Model 629X BLUE STREAK II



### FRONT BEARING HOUSING (90C2-162) with Oiler Assembly

Univ. Number	Eastman Number	Description
	4C1-111	Operating Handle Lock Nut
GE1717	4C1-132	Crank Ball Bearing Lock Nut
GE1378	4C1-190	Lock Nut For Shaft
GE1718	4C2-91	Nut For Guide Screw (3)
GE1365	4C2-110	Stop Nut
GE1374	4C3-8	Guide Adjustment Nut (3)
GE1377	11C12-92	Shaft For Ball Bearing
GE1385	12C1-21	Shakeproof Washer (2)
GE1719	12C1-24	Knife Lock Washer
	12C10-2	Washer (3)
GE1382	12C15-14	Guide Washer (6)
GE1384	12C15-53	Connecting Rod Washer
GE1369	15C13-23	Upper Stud (2)
GE1375	15C13-34	Lower LH Mounting Stud
GE1376	15C13-39	Lower RH Mounting Stud
GE1720	17C4-6	Wrist Pin
	18C6-79	Lock Ring
	18C6-80	O-Ring
GE1386	20C5-17	Connecting Rod Clamp Screw (2)
	20C12-62	Front Housing Plug Screw
	20C12-79	Screw For Handle Bracket
GE1724	20C12-122	Guide Hold Down Screw
GE1722	24C1-3	Knife Lock Bolt
GE1362	34C10-142	Spring For Capacitor
	52C5-194	Switch Plate (Dual Speed, 3 Ph.)
	52C5-235	Switch Plate (Single Speed)
	52C5-236	Switch Plate (Dual Speed, 1 Ph.)
	53C2-111	Switch Cover
	53C6-2	Oil Tube Cover
	53C11-91	Capacitor Cover
GE1914	54C4-32	Wrist Pin Plug
GE1366	62C1-140	Handle Bracket
GE1725	71C3-18	Front Ball Bearing Retainer
GE1364	72C4-28	Oil Hole Cover
	73C7-203	Oil Tube, Clear
	73C7-204	Oiler Tube
GE1729	85C1-44	Crank (1-3/4" Stroke)
GE1728	85C1-45	Crank (1-1/2" Stroke)
GE1727	85C1-46	Crank (1-1/4" Stroke)
GE1726	85C1-52	Crank (1-1/8" Stroke)
	90C2-162	Front Bearing Housing
GE1368	90C6-38	Front Ball Bearing
GE1582	90C6-46	Sealed Crank Ball Bearing
	91C4-25	Rivet Crosshead (2)
	141C1-46	Gauge, Clear

Univ. Number	Eastman Number	Description
GE1457	191C1-21	Crosshead Felt Pad
GE1730	191C1-38	Wrist Pin Felt Pad
	191C1-42	Oil Felt Wicking, Long
	191C1-43	Oil Felt Wicking, Short
	191C1-45	Oil Felt Wicking (.187" x .44")
	201C1-11	Eyelet
	222C1-7	RTV Sealer
	300C3-2	Round Head Screw (2-56 x 1/8") (4)
GE1415	300C10-4	Round Head Screw (6-32 x 3/8") (2)
GE1691	302C8-2	Flat Head Screw (4-40 x 3/4")
GE1661	302C10-4	Flat Head Screw (6-32 x 5/16") (4)
GE1350	305C8-1	Binding Head Screw (4-40 x 1/4") (7)
	307C18-1	Screw
	308C12-1	Socket Head Screw (8-32 x 3/8") (3)
GE1379	308C14-1	Guide Hold Down Screw (4)
GE1732	309C15-5	Guide Adjustment Screw (3)
GE1390	525C1-4	LH & RH Guides (1-3/4" Stroke)
GE1389	525C1-5	LH & RH Guides (1-1/2" Stroke)
GE1915	525C1-1	LH & RH Guides (1-1/2" Stroke) (For Old Style 625 Model Only)
GE1181	525C1-6	LH & RH Guides (1-1/4" Stroke)
	525C1-7	LH & RH Guides (1-1/8" Stroke)
GE1733	531C1-53	Operating Handle
	531C1-76	Cushion Grip Handle
GE1381	579C2-17	Cross Head w/Lock Washer & Bolt
GE1361	580C1-100	Switch, Dual Speed (3 Phase)
GE1167	580C1-198	Switch, Single Speed (1 & 3 Phase)
GE1391	580C1-199	Switch, Dual Speed (1 Phase)
GE1215	607C1-35	Oiling Device
GE1910	607C1-31	Oiling Device - One Shot (For Old Style 627 & 629 Models Only)
GE1373	664C1-3	Connecting Rod (1-3/4" Stroke)
GE1372	664C1-4	Connecting Rod (1-1/2" Stroke)
GE1371	664C1-5	Connecting Rod (1-1/4" Stroke)
GE1370	664C1-6	Connecting Rod (1-1/8" Stroke)
GE1357	706C1-4 **	Capacitor (110 Volt)
GE1358	706C1-5 **	Capacitor (220 Volt)
	706C1-13 *	Capacitor (110 Volt)
	706C1-18 *	Capacitor (220 Volt)

\* Class 627X Only

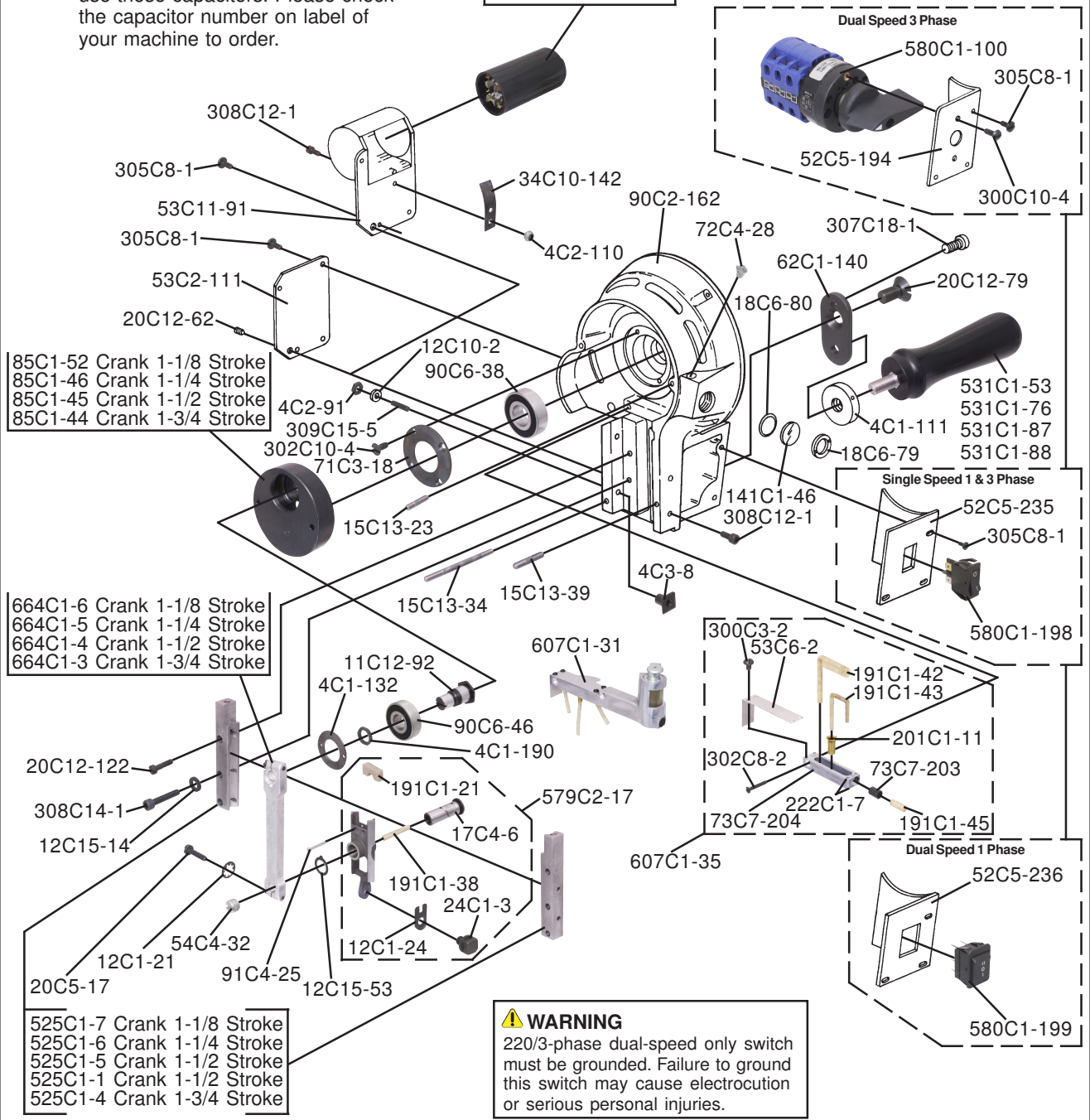
\*\* Class 629X Only

**Note:** Number in parenthesis indicate quantity of a part required.

# "Genuine" Parts For Eastman Straight Knives

**Note:** Certain 220 volt machines will use these capacitors. Please check the capacitor number on label of your machine to order.

706C1-4	110 Volt
706C1-5	220 Volt
706C1-13	110 Volt
706C1-18	220 Volt



**Notes:** L.H. indicates left-hand thread. All others are right-hand.

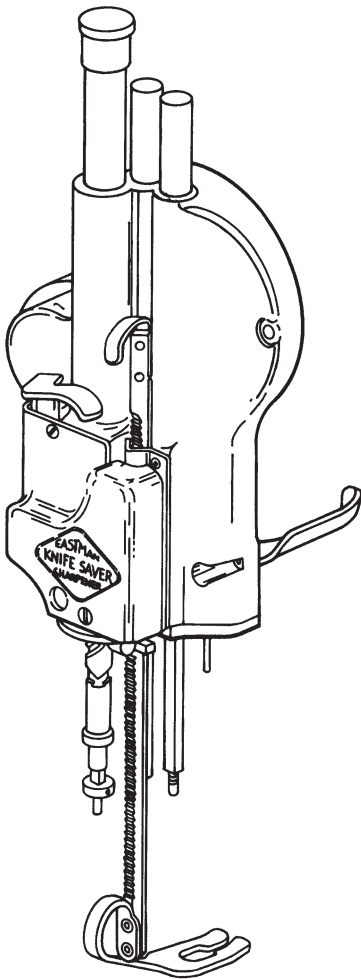
Slip large lug over switch before replacing switch base. Secure switch to base tightly to ensure positive ground.

All Drawings © 1988-1990, 1993, 1995, 1996, 1998 Eastman Machine Company

# "Genuine" Parts For Eastman Straight Knives

## Model 627X BRUTE Model 629X BLUE STREAK II

### SHARPENER HOUSING ASSEMBLY (Front View)



Univ. Number	Eastman Number	Description
GE1735	4C1-149	Nut, Elastic
GE1917	4C1-161	Nut, Self Locking
GE1736	4C2-112	R.H. Nut For Screw Shaft
GE1737	4C2-113	L.H. Nut For Screw Shaft
GE1738	5C5-16	Collar, Lower
GE1408	11C12-54	Shaft For Cam
GE1663	12C15-57	Spring Washer For Release Lever
GE1912	12C15-69	Washer For Lock Bracket
GE1739	12C15-74	Washer, Flat (4)
GE1740	12C15-91	Thrust Washer, Upper Nut (2)
GE1489	17C15-106	Roll Pin For Collar
GE1414	20C4-17	Pressure Foot Lever Screw
GE1412	20C12-13	Cam Shaft Spring Screw
GE1404	20C12-113	Screw For Latch
GE1416	20C12-117	Screw For Pressure Foot Shoe (2)
GE1741	20C12-156	Screw For Release Lever
GE1906	20C12-137	Screw For Knife Guard Lock
GE1742	22C3-2	Lift Handle For Knife Guard Lock
GE1411	34C1-20	Tension Spring
GE1833	34C8-12	Spring For Pressure Foot Lock
GE1413	34C10-179	Spring For Pressure Foot Lever
GE1403	34C10-107	Spring For Latch
GE1743	53C11-72	Cover For Cam
	53C11-103	Vinyl Cover For Handle
GE1407	55C4-49	Spacer For Knife Guard Lock Bracket
GE1417	68C1-192	Pressure Foot Shoe (All Strokes)
GE1744	71C3-15	Thrust Ball Bearing (3)
GE1745	86C7-34	Cap For Tube
GE1406	90C4-47	Bearing For Cam Shaft
GE1397	97C3-35	Latch For Cam
GE1746	147C1-26	Extension For Screw Shaft
GE1916	171C1-16	Lock (Only) For Pressure Foot
GE1453	300C10-1	Round Head Screw (6-32 x 3/16") (2)
GE1415	300C10-4	Round Head Screw (6-32 x 3/8") (4)
GE1661	302C10-4	Flat Head Screw (6-32 x 5/16")
GE1747	302C10-8	Flat Head Screw (6-32 x 3/4")
	309C15-7	Set Screw For Cam
GE1410	553C1-7	Pressure Foot Lock Bracket, Complete
GE1920	553C1-8	Knife Guard Lock Bracket Only
GE1399	605C1-36	Knife Guard Rod (7-8" Knife)
GE1400	605C1-37	Knife Guard Rod (9-10" Knife)
GE1401	605C1-33	Knife Guard Rod (11-1/2" Knife)
GE1402	605C1-34	Knife Guard Rod (13" Knife)
GE1396	621C1-7	Release Lever w/Cam
GE1409	683C1-17	Pressure Foot Lever
GE1392	713C4-4	Screw Shaft w/Extension (R & L Hand Nuts (5"-8" Knife))
GE1393	713C4-5	Screw Shaft w/Extension (R & L Hand Nuts (9"-10" Knife))
GE1241	713C4-6	Screw Shaft w/Extension (R & L Hand Nuts (11-1/2" Knife))
	713C4-7	Screw Shaft w/Extension (R & L Hand Nuts (13" Knife))
GE1749	732C1-11	Sharpener Housing w/Bushings & Tubes Only (5-8" Knife)
GE1750	732C1-12	Sharpener Housing w/Bushings & Tubes Only (9-10" Knife)
	732C1-17	Sharpener Housing w/Bushings & Tubes Only (13" Knife)

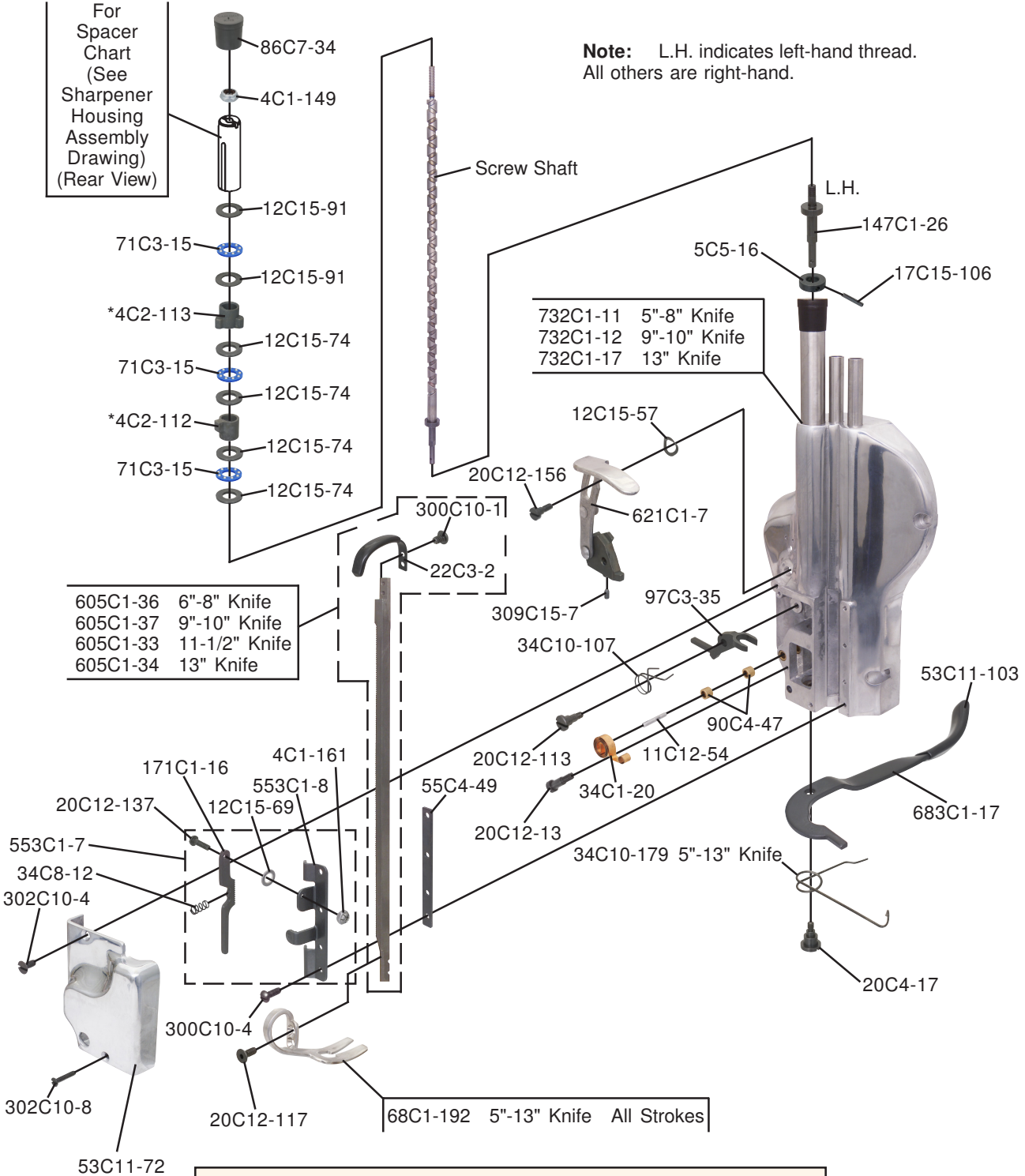
Note: Number in parenthesis indicate quantity of a part required.

# "Genuine" Parts For Eastman Straight Knives

\* THESE PARTS SOLD ONLY IN ASSEMBLIES AS FOLLOWS

- 713C4-4 Screw Shaft with Extension, R. & L. Hand Nuts 5"-8"
- 713C4-5 Screw Shaft with Extension, R. & L. Hand Nuts 9"-10"
- 713C4-6 Screw Shaft with Extension, R. & L. Hand Nuts 11-1/2"
- 713C4-7 Screw Shaft with Extension, R. & L. Hand Nuts 13"

For Spacer Chart (See Sharpener Housing Assembly Drawing) (Rear View)



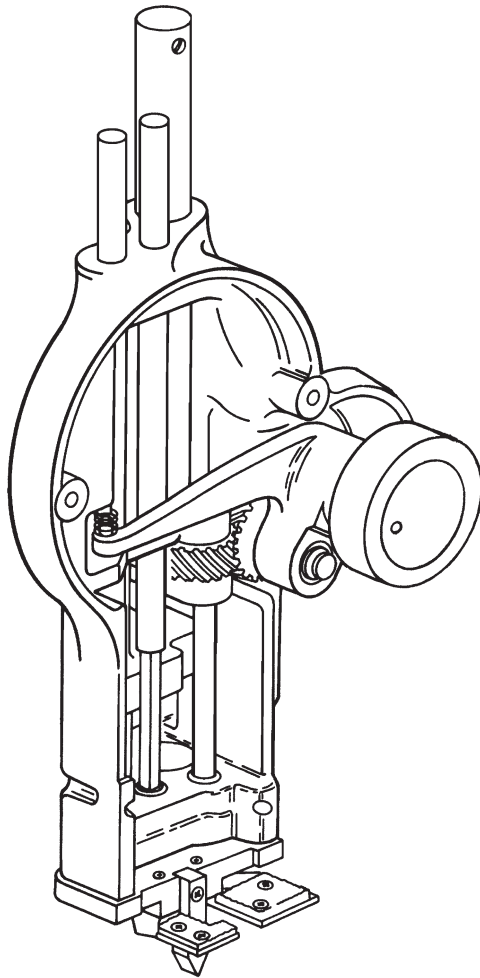
All Drawings © 1988-1990, 1993, 1995, 1996, 1998 Eastman Machine Company



# "Genuine" Parts For Eastman Straight Knives

## Model 627X BRUTE Model 629X BLUE STREAK II

### SHARPENER HOUSING ASSEMBLY (Rear View)

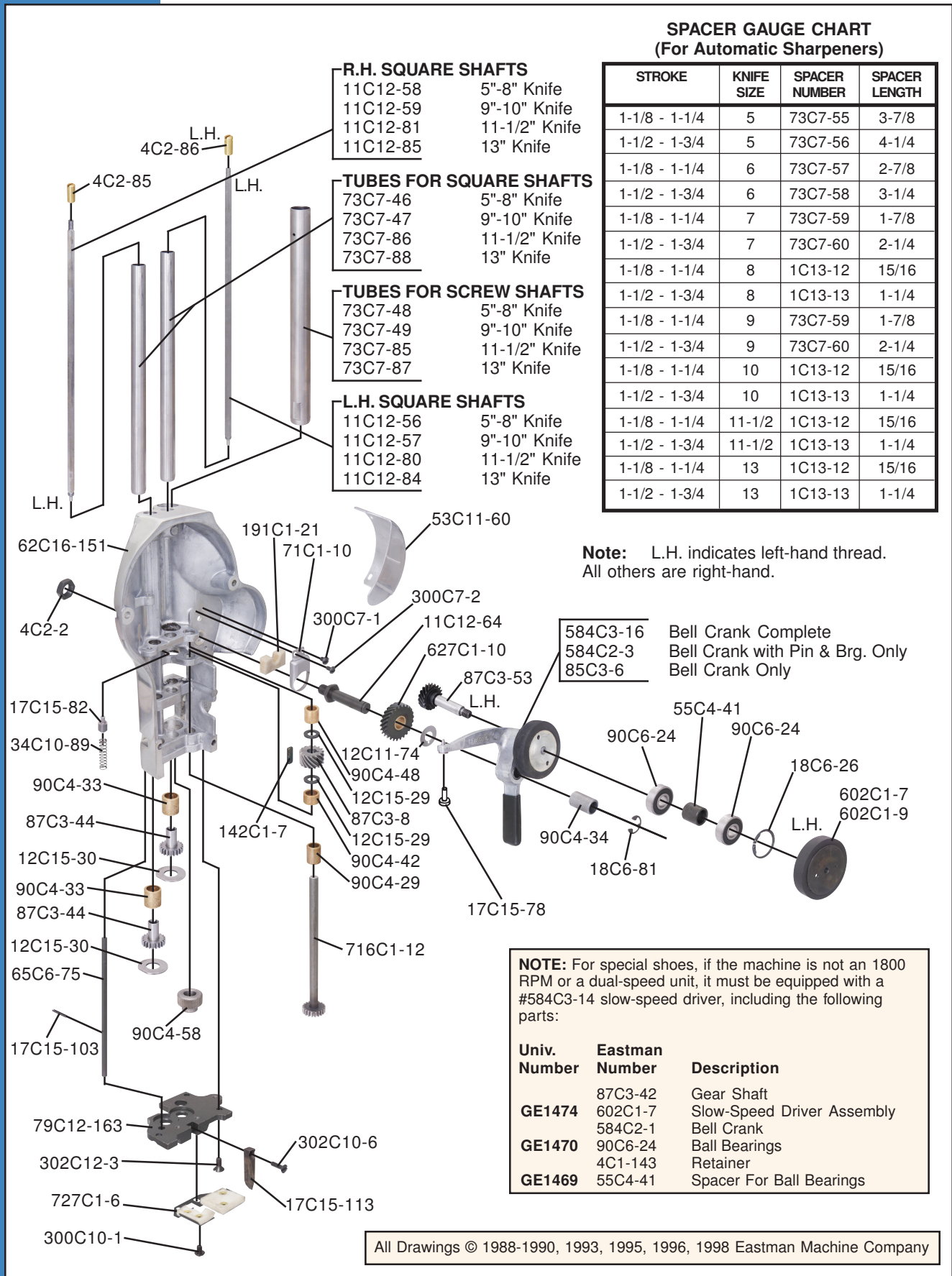


Univ. Number	Eastman Number	Description
GE1442	4C2-2	Lock Nut For Shaft
GE1753	4C2-85	RH Follower Nut
GE1754	4C2-86	LH Follower Nut
GE1418	11C12-58	RH Square Shaft (5-8" Knife)
GE1419	11C12-59	RH Square Shaft (9-10" Knife)
GE1005	11C12-81	RH Square Shaft (11-1/2" Knife)
GE1421	11C12-85	RH Square Shaft (13" Knife)
GE1430	11C12-56	LH Square Shaft (5-8" Knife)
GE1431	11C12-57	LH Square Shaft (9-10" Knife)
GE1004	11C12-80	LH Square Shaft (11-1/2" Knife)
	11C12-84	LH Square Shaft (13" Knife)
GE1467	11C12-64	Shaft For Crank
GE1755	12C11-74	Thrust Washer
GE1462	12C15-29	Thrust Washer (2)
GE1447	12C15-30	Thrust Washer For Bottom Plate (2)
	17C15-78	Pin For Bell Crank
GE1443	17C15-82	Pin Crank Spring
GE1449	17C15-103	Roll Pin For Push Rod
GE1456	17C15-113	Spreader Pin
GE1472	18C6-81	Retaining Ring For Shaft
GE1473	18C6-26	Retaining Ring For Bell Crank
GE1444	34C10-89	Spring For Bell Crank
GE1907	53C11-60	Cover Drive Pulley (For Old Style 625, 627 & 629 Models Only)
GE1469	55C4-41	Spacer For Ball Bearings
GE1756	62C16-151	Sharpener Housing Only
GE1448	65C6-75	Push Rod
GE1458	71C1-10	Idler Gear Oil Retainer
GE1422	73C7-46	Tube For Square Shaft (4-8" Knife)
GE1423	73C7-47	Tube For Square Shaft (9-10" Knife)
	73C7-86	Tube For Square Shaft (11-1/2" Knife)
	73C7-88	Tube For Square Shaft (13" Knife)
GE1426	73C7-48	Tube For Screw Shaft (4-8" Knife)
GE1427	73C7-49	Tube For Screw Shaft (9-10" Knife)
	73C7-85	Tube For Screw Shaft (11-1/2" Knife)
	73C7-87	Tube For Screw Shaft (13" Knife)
GE1450	79C12-163	Bottom Plate, Sharpener Housing
	85C3-6E	Bell Crank Only
GE1461	87C3-8	Spiral Gear
GE1446	87C3-44	Spur Gear (2)
GE1757	87C3-53	Gear & Shaft
GE1464	90C4-29	Lower Bearing For Drive Shaft
GE1445	90C4-33	Bearing For Gears (2)
GE1471	90C4-34	Bearing For Bell Crank
GE1463	90C4-42	Bearing For Drive Shaft
GE1758	90C4-48	Upper Bearing For Drive Shaft
GE1454	90C4-58	Bear For Screw Shaft
GE1470	90C6-24	Ball Bearing For Crank (2)
GE1466	142C1-7	Key For Gear
GE1457	191C1-21	Felt Pad For Cross Head
GE1459	300C7-1	Round Head Screw (4-36 x 1/8")
GE1460	300C7-2	Screw
GE1453	300C10-1	Round Head Screw (6-32 x 3/16") (2)
GE1455	302C10-6	Flat Head Screw (6-32 x 1/2")
GE1451	302C12-3	Flat Head Screw (8-32 x 3/8") (5)
	584C2-3	Bell Crank w/Pin & Bearing Only
GE1759	584C3-16	Bell Crank, Complete w/Lever
GE1474	602C1-7	Slow Speed Driver Assembly
GE1475	602C1-9	Driver Pulley w/Driver
GE1468	627C1-10	Idler Gear & Bushing
GE1465	716C1-12	Driver Shaft w/Gear
GE1452	727C1-6	Oil Pad & Holder
	1C13-12	15/16" Spacer Length, 1-1/8-1-1/4" Stroke
GE1441	1C13-13	1-1/4" Spacer Length, 1-1/2-1-3/4" Stroke
	73C7-55	3-7/8" Spacer Length, 1-1/8-1-1/4" Stroke
	73C7-56	4-1/4" Spacer Length, 1-1/2-1-3/4" Stroke
	73C7-57	2-7/8" Spacer Length, 1-1/8-1-1/4" Stroke
	73C7-58	3-1/4" Spacer Length, 1-1/2-1-3/4" Stroke
	73C7-59	1-7/8" Spacer Length, 1-1/8-1-1/4" Stroke
GE1074	73C7-60	2-1/4" Spacer Length, 1-1/2-1-3/4" Stroke

All Drawings © 1988-1990, 1993, 1995, 1996, 1998 Eastman Machine Company

**Note:** Number in parenthesis indicate quantity of a part required.

# "Genuine" Parts For Eastman Straight Knives



- R.H. SQUARE SHAFTS**  
 11C12-58 5"-8" Knife  
 11C12-59 9"-10" Knife  
 11C12-81 11-1/2" Knife  
 11C12-85 13" Knife
- TUBES FOR SQUARE SHAFTS**  
 73C7-46 5"-8" Knife  
 73C7-47 9"-10" Knife  
 73C7-86 11-1/2" Knife  
 73C7-88 13" Knife
- TUBES FOR SCREW SHAFTS**  
 73C7-48 5"-8" Knife  
 73C7-49 9"-10" Knife  
 73C7-85 11-1/2" Knife  
 73C7-87 13" Knife
- L.H. SQUARE SHAFTS**  
 11C12-56 5"-8" Knife  
 11C12-57 9"-10" Knife  
 11C12-80 11-1/2" Knife  
 11C12-84 13" Knife

**SPACER GAUGE CHART**  
(For Automatic Sharpeners)

STROKE	KNIFE SIZE	SPACER NUMBER	SPACER LENGTH
1-1/8 - 1-1/4	5	73C7-55	3-7/8
1-1/2 - 1-3/4	5	73C7-56	4-1/4
1-1/8 - 1-1/4	6	73C7-57	2-7/8
1-1/2 - 1-3/4	6	73C7-58	3-1/4
1-1/8 - 1-1/4	7	73C7-59	1-7/8
1-1/2 - 1-3/4	7	73C7-60	2-1/4
1-1/8 - 1-1/4	8	1C13-12	15/16
1-1/2 - 1-3/4	8	1C13-13	1-1/4
1-1/8 - 1-1/4	9	73C7-59	1-7/8
1-1/2 - 1-3/4	9	73C7-60	2-1/4
1-1/8 - 1-1/4	10	1C13-12	15/16
1-1/2 - 1-3/4	10	1C13-13	1-1/4
1-1/8 - 1-1/4	11-1/2	1C13-12	15/16
1-1/2 - 1-3/4	11-1/2	1C13-13	1-1/4
1-1/8 - 1-1/4	13	1C13-12	15/16
1-1/2 - 1-3/4	13	1C13-13	1-1/4

**Note:** L.H. indicates left-hand thread. All others are right-hand.

- 584C3-16 Bell Crank Complete  
 584C2-3 Bell Crank with Pin & Brg. Only  
 85C3-6 Bell Crank Only

**NOTE:** For special shoes, if the machine is not an 1800 RPM or a dual-speed unit, it must be equipped with a #584C3-14 slow-speed driver, including the following parts:

Univ. Number	Eastman Number	Description
	87C3-42	Gear Shaft
GE1474	602C1-7	Slow-Speed Driver Assembly
	584C2-1	Bell Crank
GE1470	90C6-24	Ball Bearings
	4C1-143	Retainer
GE1469	55C4-41	Spacer For Ball Bearings

All Drawings © 1988-1990, 1993, 1995, 1996, 1998 Eastman Machine Company

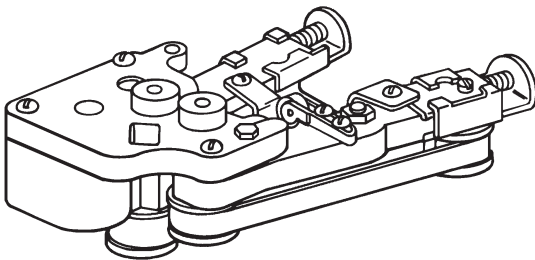
# "Genuine" Parts For Eastman Straight Knives

## Model 627X BRUTE Model 629X BLUE STREAK II

### LOWER GEAR BRACKET ASSEMBLY

Complete Sharpener Assembly Numbers: 637C10-\*

		Machine Stroke			
		1-1/8"	1-1/4"	1-1/2"	1-3/4"
Height of Machine	5"	-20	-21	-22	-23
	6"	-24	-25	-26	-27
	7"	-28	-29	-30	-31
	8"	-32	-33	-34	-35
	9"	-36	-37	-38	-39
	10"	-40	-41	-42	-43
	11-1/2"	-	-45	-46	-47
13"	-48	-49	-50	-51	

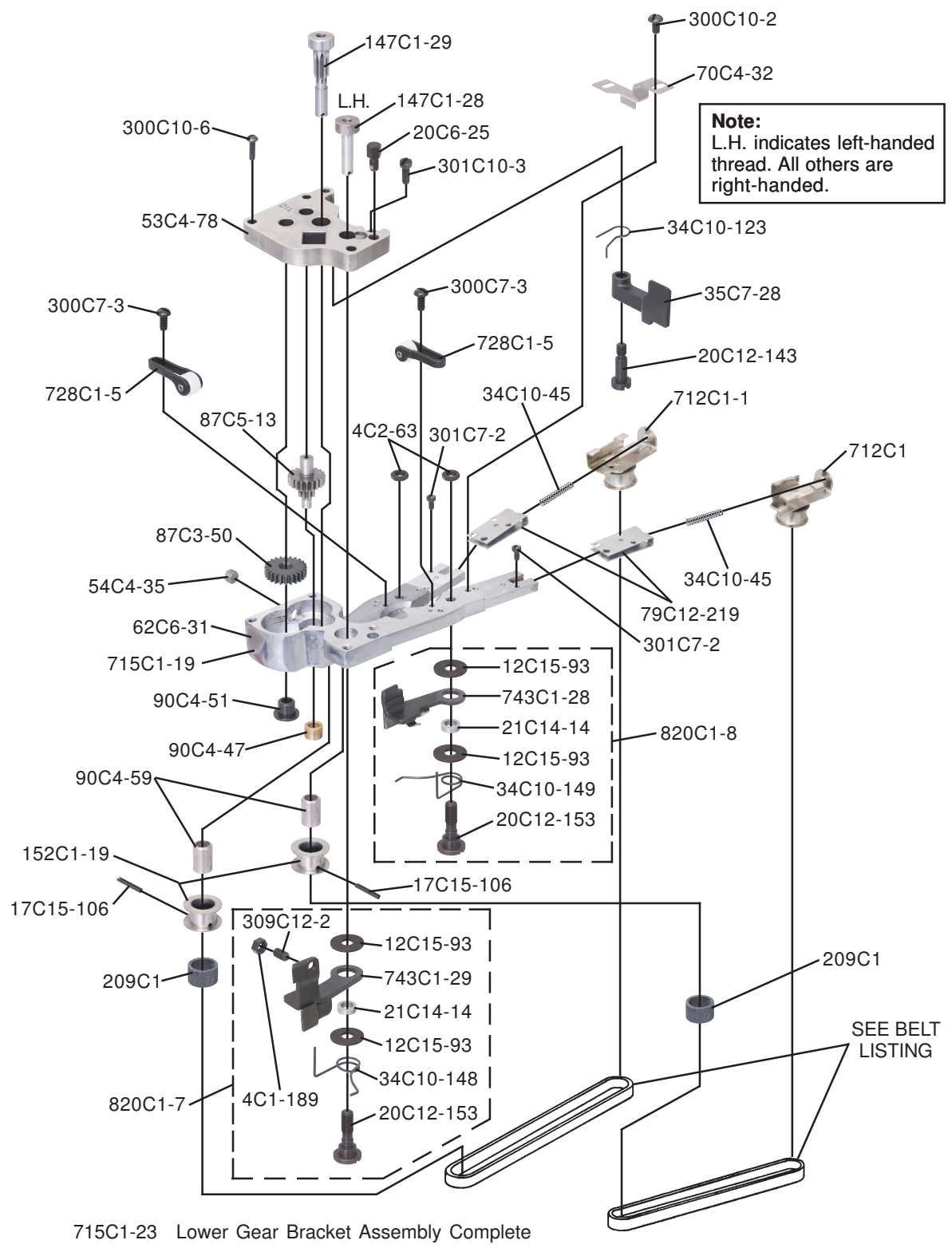


Univ. Number	Eastman Number	Description
GE1491	4C1-189	Jam Nut (8-32)
GE1561	4C2-63	Nut For Sharpener Shoe Screw (2)
GE1654	12C15-93	Washer, Shoe (4)
GE1489	17C15-106	Roll Pin (For Pulley #152C1-19) (2)
GE1495	20C6-25	Adjusting Screw
	20C12-57	Screw For Sharpener Shoe (Wave Knife Only) (2)
GE1501	20C12-143	Screw For Clamping Arm
GE1657	20C12-153	Screw For Sharpener Shoe (2)
GE1761	21C14-14	Bushing For Sharpener Shoe (2)
GE1504	34C10-45	Spring For Pulley Slide (2)
GE1508	34C10-47	Spring For LH Shoe (Wave Knife Only)
GE1554	34C10-57	Spring For RH Shoe (Wave Knife Only)
GE1499	34C10-123	Spring For Arm
GE1762	34C10-148	Spring For LH Sharpener Shoe
GE1763	34C10-149	Spring For RH Sharpener Shoe
GE1500	35C7-28	Clamping Arm For Shoe
GE1477	53C4-78	Gear Cover
GE1482	54C4-35	Oil Hole Plug
GE1483	62C6-31	Bracket, Lower Gear
GE1498	70C4-32	Guide Back Of Standard
GE1505	79C12-219	Wear Plate (2)
GE1481	87C3-50	Gear On Screw Shaft
GE1480	87C5-13	Intermediate Gear
GE1406	90C4-47	Bearing For Intermediate Gear
GE1485	90C4-51	Bearing For Screw Shaft
GE1487	90C4-59	Bearing For Shaft Extension (2)
GE1494	147C1-28	RH Shaft Extension
GE1493	147C1-29	LH Shaft Extension
GE1488	152C1-19	Front Pulley For Belt (2)
GE1490	209C1	Neoprene Band For Pulley (2)
GE1478	300C7-3	Round Head Screw (4-36 x 1/4") (4)
GE1497	300C10-2	Round Head Screw (6-32 x 1/4") (2)
GE1476	300C10-6	Round Head Screw (6-32 x 1/2") (3)
GE1764	301C7-2	Fillister Head Screw (4-36 x 3/16") (2)
GE1496	301C10-3	Fillister Head Screw (6-32 x 3/8")
	309C12-2	Stop Screw For LH Shoe
GE1503	712C1	RH Slide w/Pulley
GE1502	712C1-1	LH Slide w/Pulley
GE1484	715C1-19	Lower Gear Bracket w/Cover, Bearings, Screws & Wear Plate (5"—13" Knives)
GE1919	715C1-23	Lower Gear Bracket, Complete
GE1479	728C1-5	Stabilizer Assembly (2)
GE1540	743C1-26	RH Shoe (Wave Knife Only)
GE1507	743C1-27	LH Shoe (Wave Knife Only)
GE1765	743C1-28	RH Pre-Set Sharpener Shoe Only
GE1766	743C1-29	LH Pre-Set Sharpener Shoe Only
GE1492	820C1-7	LH Complete Shoe Assembly
GE1506	820C1-8	RH Complete Shoe Assembly

Note: Number in parenthesis indicate quantity of a part required.

All Drawings © 1988-1990, 1993, 1995, 1996, 1998 Eastman Machine Company

# "Genuine" Parts For Eastman Straight Knives



**Wave knives require special shoes & related parts listed below.**

Univ. Number	Eastman Number	Description	Univ. Number	Eastman Number	Description
GE1507	743C1-27	L.H. Shoe	GE1540	743C1-26	R.H. Shoe
GE1508	34C10-47	L.H. Spring	GE1554	34C10-57	R.H. Spring
GE1501	20C12-143	Screw For Shoe		20C12-57	Screw For Shoe

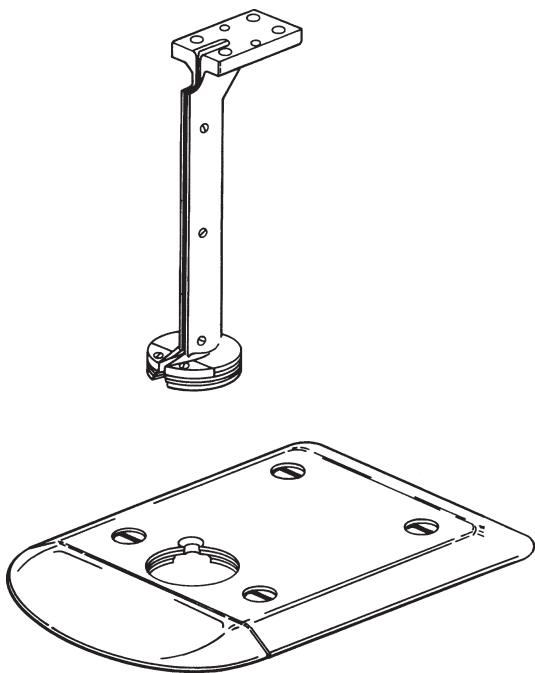
When using these Special Shoes the following parts must be removed from the Lower Gear Bracket.		
Univ. Number	Eastman Number	Description
GE1500	35C7-28	Clamping Arm
GE1499	34C10-123	Spring
GE1501	20C12-143	Screw

All Drawings © 1988-1990, 1993, 1995, 1996, 1998 Eastman Machine Company

# "Genuine" Parts For Eastman Straight Knives

## Model 627X BRUTE Model 629X BLUE STREAK II

### STANDARD & BASE PLATE ASSEMBLY



All Drawings © 1988-1990, 1993, 1995, 1996, 1998 Eastman Machine Company

Univ. Number	Eastman Number	Description
GE1531	12C1-35	Lock Washer (4)
	12C15-77	Washer
GE1605	17C1-4	Taper Pin (#0 x 3/4") (2)
GE1528	17C6-9	Hinge Pin (2)
GE1768	20C5-12	Clamp Screw For Rollers (8)
GE1517	20C12-19	Knife Slide Screw
GE1532	20C13-51	Hinge Pin Clamp Screw (4)
GE1769	34C1-57	Plate Wing Tension Spring (2)
GE1529	60C1-55	Plate Wing (For Small Plates)
GE1530	60C1-56	Plate Wing (For Large Plates)
GE1770	79C4-12	Throat Plates w/Screws & Pins
	79C4-24	Tapered & Relieved Throat Plates Assembly
GE1527	213C1-1	Fibre Shim (6)
GE1451	302C12-3	Flat Head Screw (8-32 x 3/8") (3)
GE1772	505C3-223	Small Plate Base, Complete (5"—8" Knives)
GE1773	505C3-224	Large Plate Base, Complete (9"—13" Knives)
GE1118	505C3-226	Small Plate Base, Complete (5"—8" Knives)
		For 50 Cycle 1500 RPM & Dual-Speed Only
GE1124	505C3-227	Large Plate Base, Complete (9"—13" Knives)
		For 50 Cycle 1500 RPM & Dual-Speed Only
	505C3-243	Small Plate Base, Complete (5"—8" Knives)
		Used with Swivel Roller Assembly Only
	505C3-244	Large Plate Base, Complete (9"—13" Knives)
		Used with Swivel Roller Assembly Only
	528C1-112	Micro Fog Standard (Complete w/Slides & Throat Plates) (6" Knife)
GE1509	528C1-123	Standard (Complete w/Slides & Throat Plates) (5" Knife)
GE1510	528C1-120	Standard (Complete w/Slides & Throat Plates) (6" Knife)
GE1511	528C1-122	Standard (Complete w/Slides & Throat Plates) (7" Knife)
GE1512	528C1-121	Standard (Complete w/Slides & Throat Plates) (8" Knife)
GE1183	528C1-115	Standard (Complete w/Slides & Throat Plates) (9" Knife)
GE1514	528C1-116	Standard (Complete w/Slides & Throat Plates) (10" Knife)
GE1184	528C1-124	Standard (Complete w/Slides & Throat Plates) (11-1/2" Knife)
GE1185	528C1-125	Standard (Complete w/Slides & Throat Plates) (13" Knife)
GE1533	532C2-3	Rubber Mounted Roller, Complete (4)
GE1534	532C2-5	Rubber Mounted Roller, Complete (4)
GE1918	532C2-7	Rubber Mounted Roller, Complete (4)
GE1777	619C1-31	Roller Shell, Complete (4)
GE1518	643C1-44	Knife Slides, Complete w/Screws (5" Knife)
GE1519	643C1-41	Knife Slides, Complete w/Screws (6" Knife)
GE1229	643C1-42	Knife Slides, Complete w/Screws (7" Knife)
	643C1-43	Knife Slides, Complete w/Screws (8" Knife)
GE1522	643C1-46	Knife Slides, Complete w/Screws (9" Knife)
GE1523	643C1-47	Knife Slides, Complete w/Screws (10" Knife)
GE1524	643C1-53	Knife Slides, Complete w/Screws (11-1/2" Knife)
GE1525	643C1-45	Knife Slides, Complete w/Screws (13" Knife)
	643C1-51	Knife Slides, Complete w/Screws (6" Micro Fog)
GE1778	619C1-32	Swivel Roller Assembly

Note: Number in parenthesis indicate quantity of a part required.

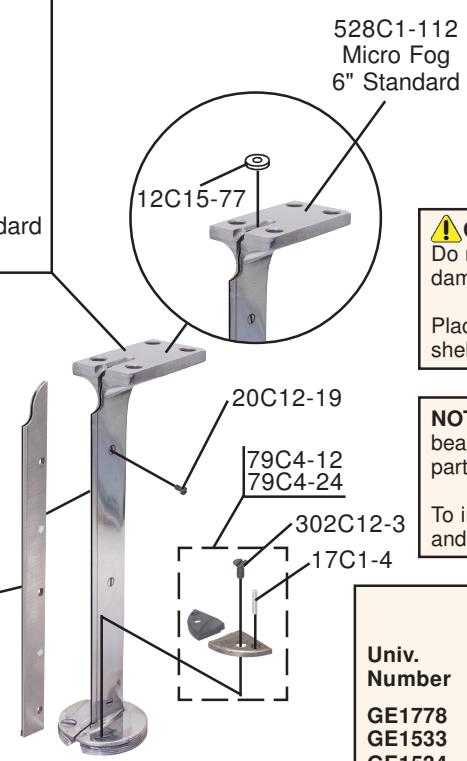
# "Genuine" Parts For Eastman Straight Knives

**STANDARDS COMPLETE W/SLIDES**

528C1-123	5" Standard
528C1-120	6" Standard
528C1-122	7" Standard
528C1-121	8" Standard
528C1-115	9" Standard
528C1-116	10" Standard
528C1-124	11-1/2" Standard
528C1-125	13" Standard

**KNIFE SLIDES**

643C1-44	5" Knife
643C1-41	6" Knife
643C1-42	7" Knife
643C1-43	8" Knife
643C1-46	9" Knife
643C1-47	10" Knife
643C1-53	11-1/2" Knife
643C1-45	13" Knife
643C1-51	6" Micro Fog

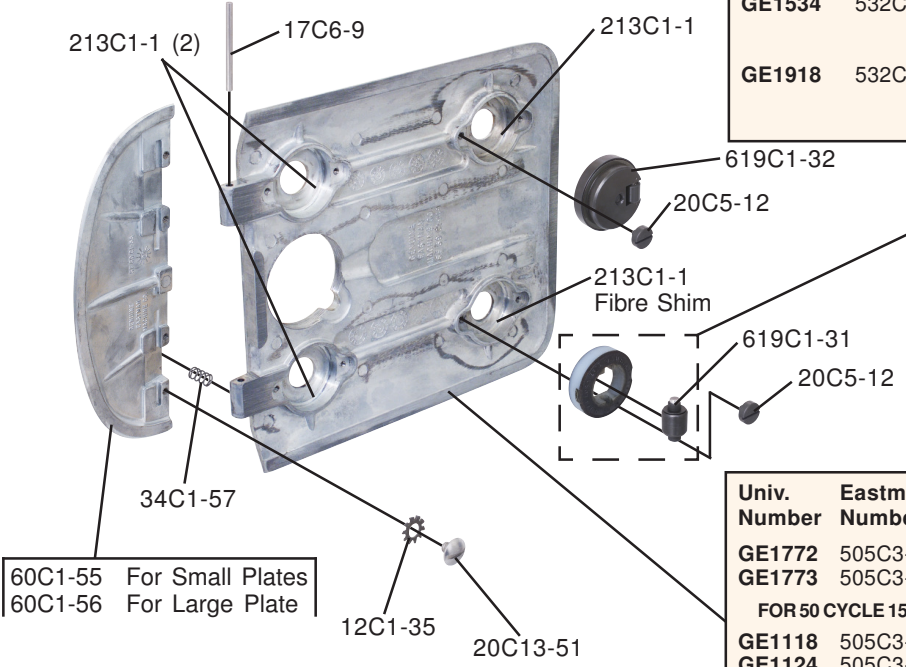


**CAUTION**  
Do not oil the plate roller shells or you may damage them.  
Place the plate on blocks and press out the roller shell from the ring assembly.

**NOTE:** A roller shell (complete with shaft and bearings) may be ordered as required. Specify part number 619C1-30.  
To install a new roller shell, invert the baseplate and press the roller shell into the ring assembly.

**OPTIONAL**

Univ. Number	Eastman Number	Description
GE1778	619C1-32	Swivel Roller Assembly
GE1533	532C2-3	Rubber Mounted Wide Roller
GE1534	532C2-5	Rubber Mounted Roller (For all machines except noted below)
GE1918	532C2-7	Rubber Mounted Roller (For 50 cycle 1500 RPM & dual-speed machines only)



Univ. Number	Eastman Number	Description
GE1772	505C3-223	Small Plate For 5"-8" Knives
GE1773	505C3-224	Large Plate For 9"-13" Knives
<b>FOR 50 CYCLE 1500 RPM &amp; DUAL-SPEED MACHINES ONLY</b>		
GE1118	505C3-226	Small Plate For 5"-8" Knives
GE1124	505C3-227	Large Plate For 9"-13" Knives
<b>FOR PLATES WITH SWIVEL ROLLERS</b>		
GE1772	505C3-223	Small Plate For 5"-8" Knives
GE1773	505C3-224	Large Plate For 9"-13" Knives

All Drawings © 1988-1990, 1993, 1995, 1996, 1998 Eastman Machine Company